


**SAVE THESE INSTRUCTIONS - READ ALL INSTRUCTIONS CAREFULLY**

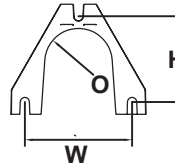
## ⚠ WARNING

### PLEASE READ ALL INSTRUCTIONS BEFORE ATTEMPTING INSTALLATION.

- To reduce the risk of electrical shock, turn off power supply before installation or servicing.
- This fixture must be wired in accordance with the National Electrical Code and all applicable local codes. Proper grounding is required for safety. This product must be installed in accordance with the National Electrical Code by a person familiar with the construction and operation of the product and the hazards involved.
- If NEMA photo control is installed refer to NEMA Receptacle section for instructions.
- Verify the availability of necessary tools and incidental material.


**CAN ICES-005 (B) / NMB-005 (B)**

### BACKPLATE



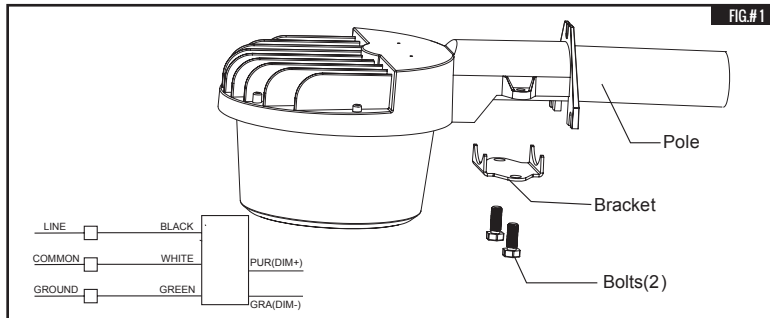
W: 2-3/4" (7 cm)  
H: 2-1/4" (5.6 cm)  
O: 1-3/4" (4.5 cm)

### TESTING THE LIGHT

1. To check operation during the daylight hours, cover the photocontrol window with black electrical tape. (Never use Aluminum foil to cover photocontrol or any other material that conducts electricity.)
2. Turn on the electric power & the fixture should light within 2 min.
3. Remove the tape from the photocontrol and the fixture will operate automatically-on at dusk, off at dawn.

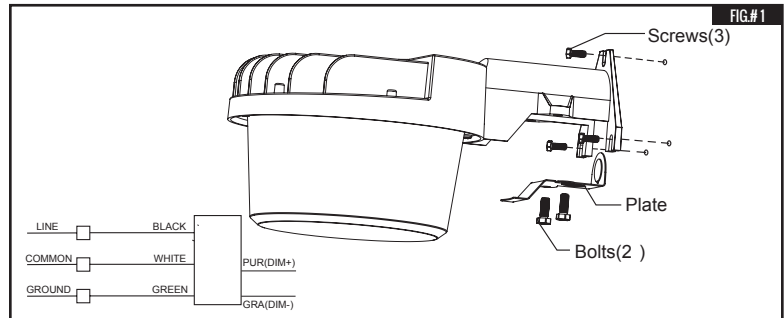
## INSTALLATION GUIDE

### POLE MOUNTING



1. Make wiring connections to the light fixture.
2. Connect ground wire to green wire, white wire to neutral (white) wire, and black wire to black wire.
3. Secure pole to light fixture using bracket and bolts provided.

### DIRECT WALL MOUNTING



1. Place the fixture onto the desired mounting surface and mark the three hole locations for ease of mounting. Remove the fixture and drill the three marked locations. (Note: Hardware included for mounting to wood surfaces only. Ensure that fixture is mounted onto structurally sound wall surface that will support the fixture.)
2. Mount the fixture using the Screws provided.
3. Tighten these bolts securely to 25 in-lbs before proceeding. Remove access cover to make wiring connections.
4. Ensure that flexible conduit runs all the way into the access plate so that no wires are exposed.
5. Connect ground wire to green wire, white wire to neutral (white) wire, and black wire to black wire. After all connections have been made, replace access cover.

**NOTE:** This fixture is intended to be conduit connected to a properly installed and properly ground weatherproof junction box (not provided). All conduit connectors, conduit and junction boxes (not provided) should be UL listed for wet locations.


**SAVE THESE INSTRUCTIONS - READ ALL INSTRUCTIONS CAREFULLY**

**CAN ICES-005 (B) / NMB-005 (B)**
**POLE MOUNTING**

1. Attach the two piece mounting brackets to the extension arm by interlocking the bracket and securing with the bolt and hex nut provided, leaving approximately one inch of the extension arm protruding out of the bottom of the bracket.
2. Place the extension arm assembly onto the desired mounting surface and mark the four hole locations required for mounting.
3. Remove the arm assembly and drill the four marked locations for ease of mounting. Mount the extension arm assembly using the hex head lag bolts provided. Tighten these bolts securely before proceeding.  
(Alternately, fixture can be mounted to flat vertical surface with bolts by others.)
4. Feed supply wires through the arm and make wiring connections to the light fixture. Secure arm with light fixture using bracket and bolts provided.

**TESTING THE LIGHT**

1. To test light output during daylight hours, cover the photo control with black electrical tape.
2. Power on the fixture. The fixture should emit light within 2 minutes.
3. Remove the tape from the photo control and the fixture will operate automatically.

**NOTE:** This fixture is intended to be conduit connected, appropriately installed and grounded using a weatherproof junction box (not provided). It's recommended that all conduit connectors, conduit and junction boxes (not provided) should be UL listed for wet locations.

